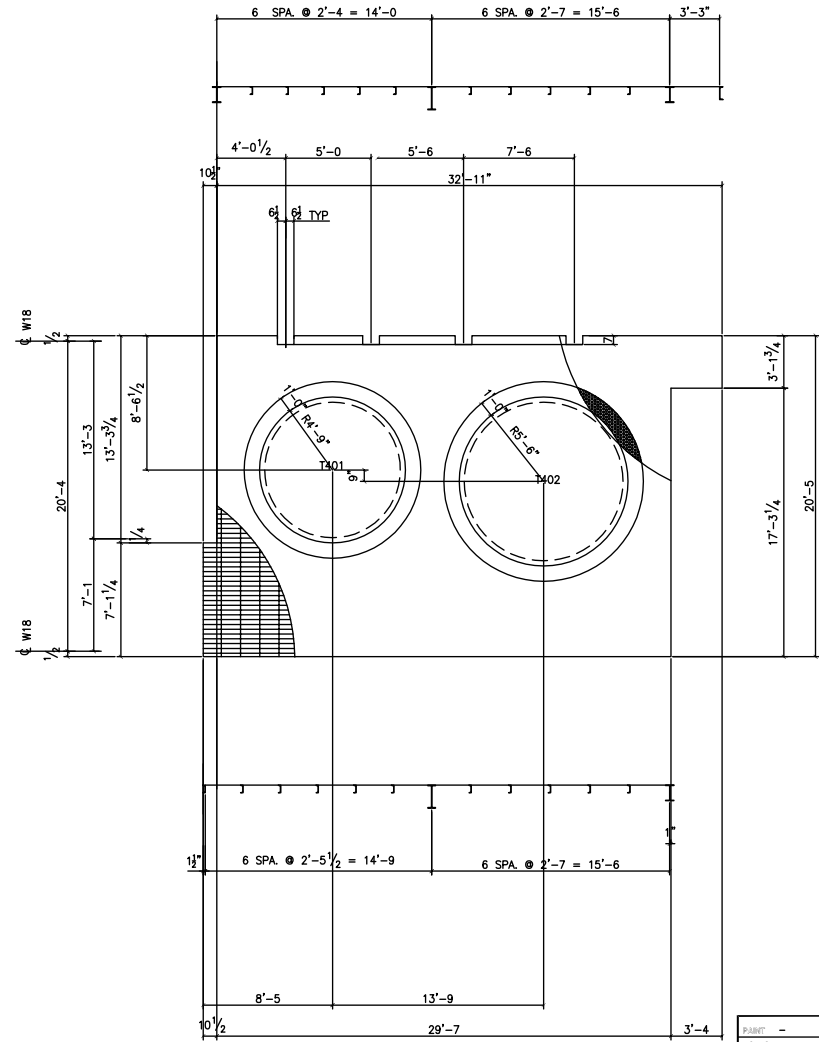


PLATFORM FRAMING PLAN

TOP OF 1" GRITG EL. +12'-2"
 TOS. (-1) EL. (+12'-1) UN.
 = C6x8.2



GRATING PLAN

| | |
|--|-----------------------|
| OWNER - | REV - |
| DESIGNER - | ▲ DMS PER APY.L |
| WELDER - | ▲ REV'D DMS. |
| INSPR. - | ▲ |
| BEL. - | ▲ |
| RECORD. - | ▲ |
| JOB # PHONE - | ▲ |
| MERIT STEEL ✪ | |
| PH: (714) 848-4328 STRUCTURAL STEEL - WOOD METAL | |
| FAC: (714) 848-8339 JOB SCHEDULE INFO | |
| 16402 Serenade Lane, Huntington Beach, CA 92647 | |
| PROJECT THIN DOWN TANK | |
| ENGINEERED POLYMER SOLUTIONS, INC. | |
| PLATFORM FRAMING PLAN | |
| TITLE: | JOB NO. - DRAWING NO. |
| FOR: | |
| REP: | |
| OWN: | CHK: |
| DEC 2 | CM |
| | E1 |
| | 2 |

PDA Consulting
CONFIDENTIAL